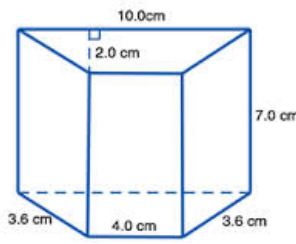
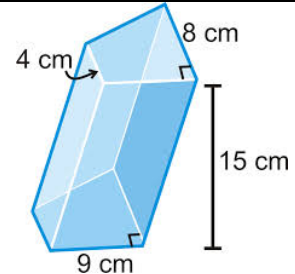


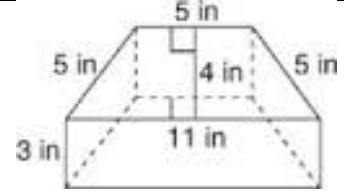
Name: _____

<p>1)</p> 	<p>Surface Area</p>
--------------------------------------------------------------------------------------------	---------------------

<p>Draw, Label Base</p>	<p>Perimeter=</p> <p>B=</p>	<p>Volume</p>
-------------------------	-----------------------------	---------------

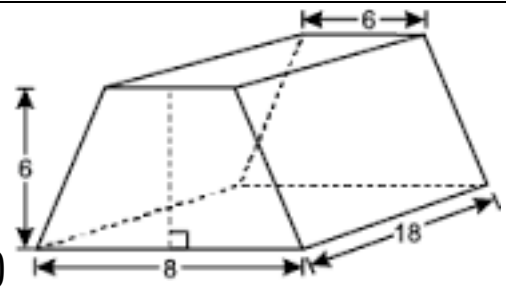
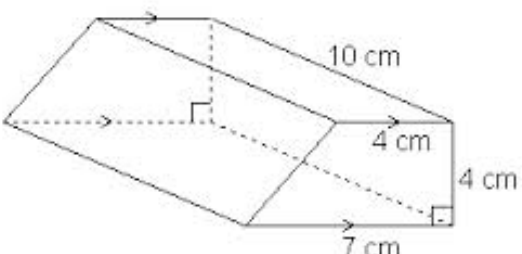
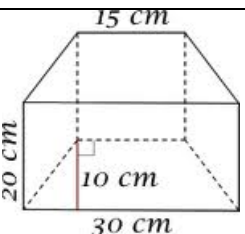
<p>2)</p> 	<p>Surface Area</p>
----------------------------------------------------------------------------------------------	---------------------

<p>Draw, Label Base</p>	<p>Perimeter=</p> <p>B=</p>	<p>Volume</p>
-------------------------	-----------------------------	---------------

<p>3)</p> 	<p>Surface Area</p>
-----------------------------------------------------------------------------------------------	---------------------

<p>Draw, Label Base</p>	<p>Perimeter=</p> <p>B=</p>	<p>Volume</p>
-------------------------	-----------------------------	---------------

Name: _____

<p>4)</p> 	<p>Surface Area</p>
<p>Draw, Label Base</p>	<p>Perimeter= B=</p>
<p>5)</p> 	<p>Surface Area</p>
<p>Draw, Label Base</p>	<p>Perimeter= B=</p>
<p>6)</p> 	<p>Surface Area</p>
<p>Draw, Label Base</p>	<p>Perimeter= B=</p>

Name: _____