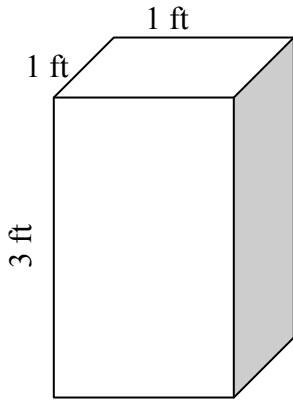


Name _____ Period _____ Date _____

Volume and Surface Area

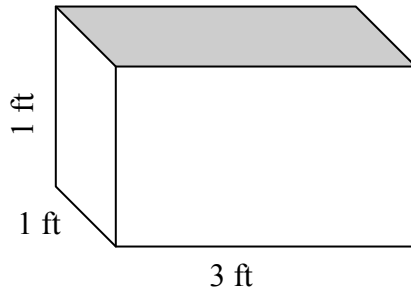
1) Volume = _____

Surface Area = _____



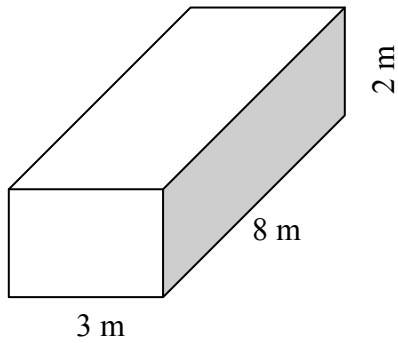
2) Volume = _____

Surface Area = _____



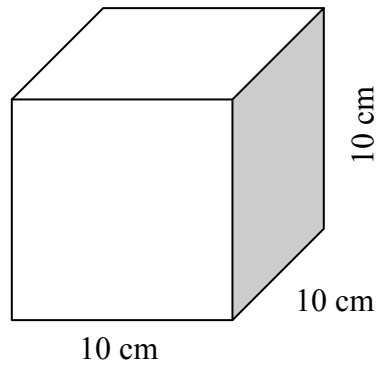
3) Volume = _____

Surface Area = _____



4) Volume = _____

Surface Area = _____

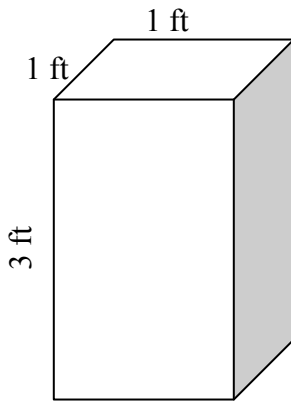


Name ANSWER KEY Period _____ Date _____

Volume and Surface Area

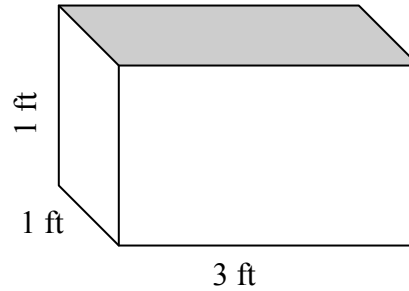
1) Volume = 3 cubic ft.

Surface Area = 14 sq. ft.



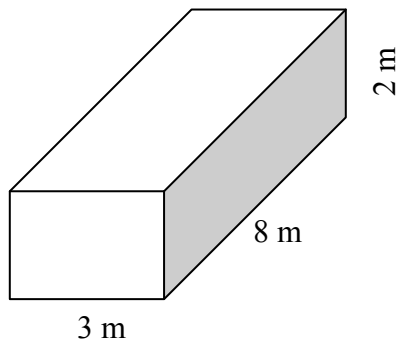
2) Volume = 3 cubic ft.

Surface Area = 14 sq. ft.



3) Volume = 48 cubic m.

Surface Area = 92 sq. m.



4) Volume = 1,000 cubic cm.

Surface Area = 600 sq. cm.

