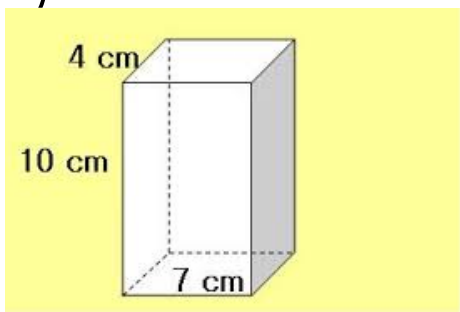


Name:

Date:

1)



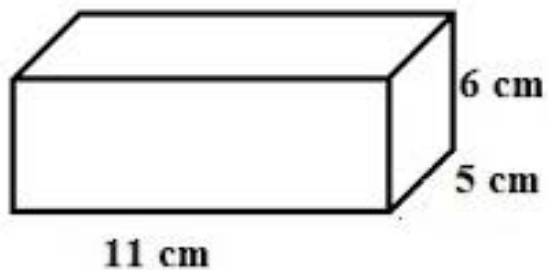
$$SA = Ph + 2B$$

Area of Base

Perimeter of Base

Volume of The Base

2)



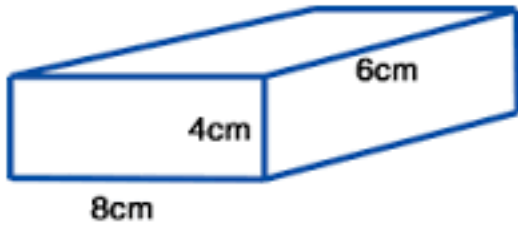
$$SA = Ph + 2B$$

Base

Perimeter of Base

Volume of The Base

3)

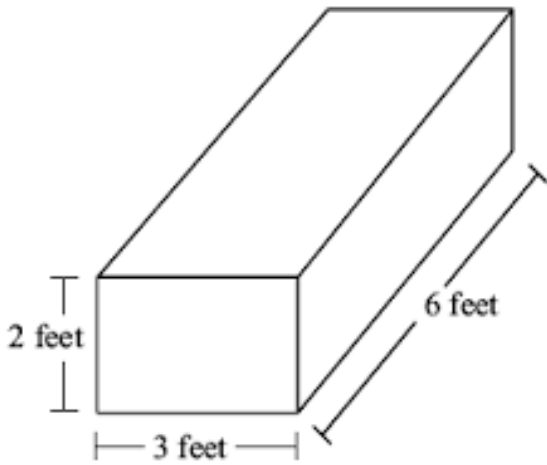


Base

Perimeter of Base

Volume of The Base

4)



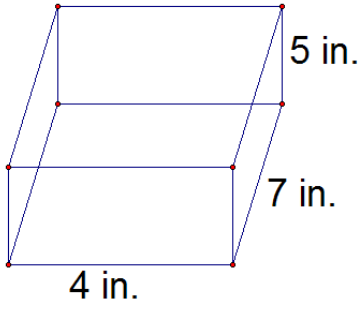
Base

Perimeter of Base

Volume of The Base

Name:

Date:



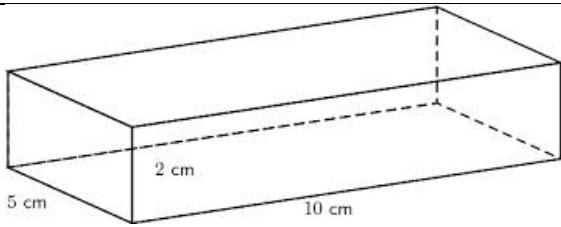
5)

Base

Perimeter of Base

Volume of The Base

6)

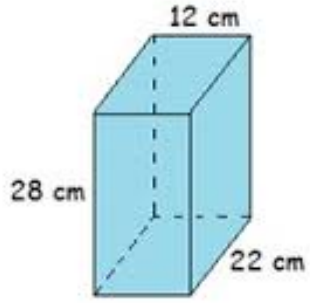


Base

Perimeter of Base

Volume of The Base

7)

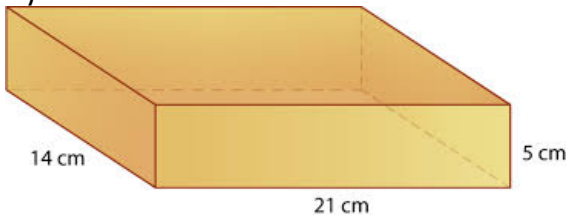


Base

Perimeter of Base

Volume of The Base

8)



Base

Perimeter of Base

Volume of The Base